

Fits various Alfa, Audi, BMW, Fiat, Seat, Skoda and Volkswagen models
 OEM part number BMW = 31331124449, Fiat = 4409263, VAG 6N0413175A,

0	ORIGINAL ISSUE	P.S.	5/9/12		
No	REVISION	BY	CHKD	DATE	

MACHINING, WELDING & FABRICATION TOLERANCES UNLESS NOTED OTHERWISE (ALL DIMENSIONS IN MILLIMETRES)
 HOLE CENTRES ± 0.2
 WELDING PROCESS TYPE - TIG
 TOLERANCES - UNLESS NOTED

MACHINED SURFACES	0.2	INTEGER (X)	± 0.3
		1-DECIMAL (.X)	± 0.1
		2-DECIMAL (.XX)	± 0.05
		ANGULAR	± 0.5

DESCRIPTION
 UNIVERSAL BUMPSTOP

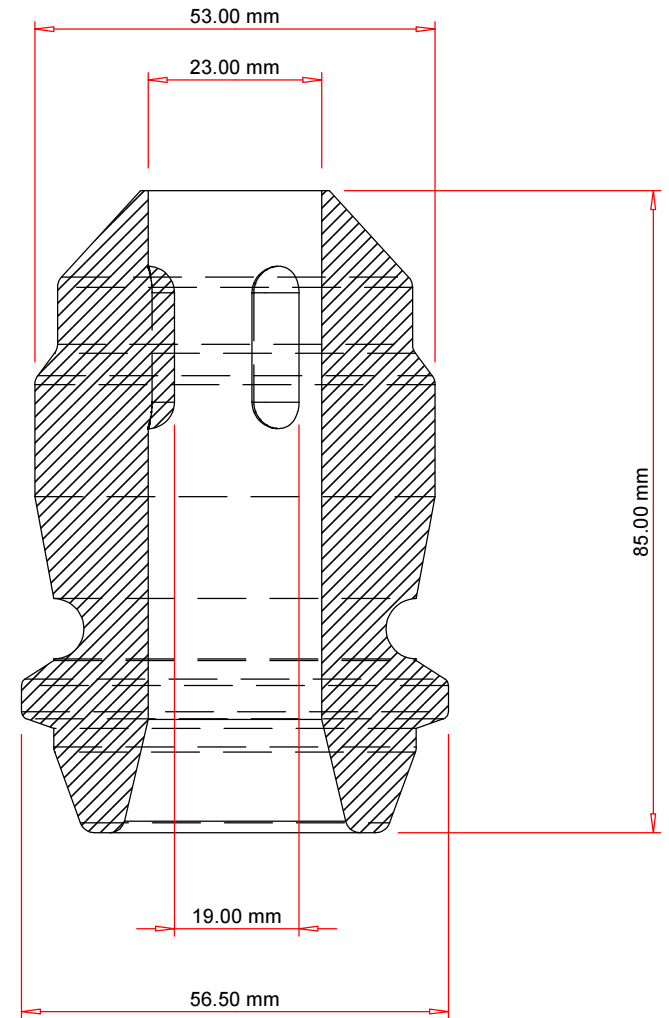
© COPYRIGHT. ALL RIGHTS RESERVED
 THIS DRAWING IS STRICTLY CONFIDENTIAL AND MUST NOT BE COPIED, REPRODUCED OR ADAPTED, NOR MAY ARTICLES BE MANUFACTURED IN ACCORDANCE WITH THE DRAWING WITHOUT PRIOR WRITTEN PERMISSION OF POWERFLEX.

POWERFLEX
CEPT

MATERIAL
 Closed Cell Polyurethane Foam

DRAWING No.
 BS2003K

REV
 0



Fits various Volkswagen and Seat models
 OEM part number 357412303E

REVISION	BY	CHKD	DATE
0 ORIGINAL ISSUE	P.S.		4/9/12
1			
2			

MACHINING, WELDING & FABRICATION TOLERANCES UNLESS NOTED OTHERWISE (ALL DIMENSIONS IN MILLIMETRES)
 HOLE CENTRES ± 0.2
 WELDING PROCESS TYPE - TIG
 TOLERANCES - UNLESS NOTED

MACHINED SURFACES	0.2	INTEGER (X)	± 0.3
		1-DECIMAL (.X)	± 0.1
		2-DECIMAL (.XX)	± 0.05
		ANGULAR	± 0.5

DESCRIPTION
 UNIVERSAL BUMPSTOP

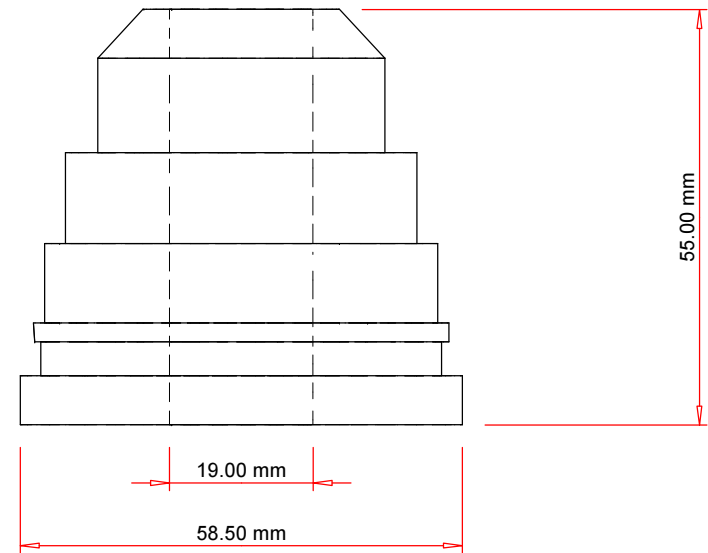
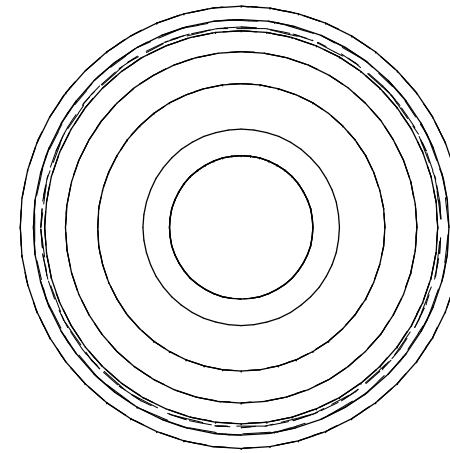
© COPYRIGHT. ALL RIGHTS RESERVED
 THIS DRAWING IS STRICTLY CONFIDENTIAL AND MUST NOT BE COPIED, REPRODUCED OR ADAPTED, NOR MAY ARTICLES BE MANUFACTURED IN ACCORDANCE WITH THE DRAWING WITHOUT PRIOR WRITTEN PERMISSION OF POWERFLEX.

POWERFLEX
EPTC

MATERIAL
 Closed Cell Polyurethane Foam

DRAWING No.
 BS2001K

REV
 0



DESCRIPTION

BUMPSTOP BS006, VW GOLF
MK2 & 3

© COPYRIGHT. ALL RIGHTS RESERVED
THIS DRAWING IS STRICTLY CONFIDENTIAL AND MUST NOT BE
COPIED, REPRODUCED OR ADAPTED, NOR MAY ARTICLES BE
MANUFACTURED IN ACCORDANCE WITH THE DRAWING WITHOUT
PRIOR WRITTEN PERMISSION OF POWERFLEX.



MATERIAL
POLYURETHANE SHORE A 70

DRAWING No.
BS006

REV
0

REVISION	BY	CHKD	DATE
1			
2			
3			
4			
5			
6			
7			
8			

ORIGINAL ISSUE

P.S.

No

BY

CHKD

DATE

1

2

3

4

5

6

7

8

